

SPOT Light



Unitech
digitalmedia

Spot Light

FEATURES

- Flood Light Series is designed for architectural facade, bridge and so on.
- High Efficiency light output and uniform beam with professional lens.
- Top brand silicone for better heatconduction, strong temperature withstand and perfect waterproof performance.
- Led color always keep same brightness after long distance power supply.
- The communication between lights are synchronized perfectly under support of Artnet Controller.
- Standard DMX512 control protocol (Max 44frames/second).
- Save 40% power with more efficient power management design.
- Protections: short circuit, over current, over voltage and over temperature.

SL600101
Spot Light

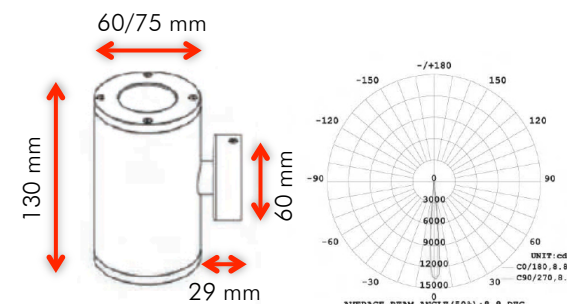
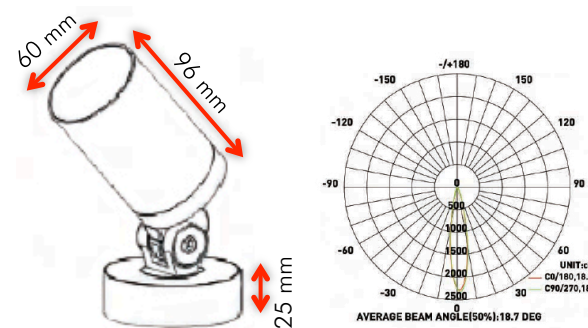


WL600201 – WL750601
Spot Light



SPECIFICATION

	SL600101	WL1600201	WL750601
Size	60x96mm	170x170xd137xh245mm	213x213xd190xh345mm
Diffuser	Clear Tempered Glass	Clear Tempered Glass	Clear Tempered Glass
Color	White 2700K-5770K	White 2700K-5770K	White 2700K-5770K
Led	High Power LED	High Power LED	High Power LED
Led Q.ty	1 PCS	2 PCS	6 PCS
Beam angle	9°-19°-30°	3°-40°	25°-40°
Voltage	24V DC	85-260V DC	85-260V DC
Power	10W	5W	15W
Control	On-Off / DMX 512	On-Off	On-Off
Address Setting	Auto/Manual	-	-
DMX Channels	1	1	1
Housing	Powder coated in Black	Powder coated in Black	Powder coated in Black
Cable entry	Bottom	Side	Side
Operating Temperature	-20° to 50°C	-20° to 50°C	-20° to 50°C
Storage Temperature	-40° to 80°C	-40° to 80°C	-40° to 80°C
IP	IP65	IP65	IP65
Certificate	CE/ROHS	CE/ROHS	CE/ROHS



SL600101 SPOT LIGHT

SIZE: 2.36"x 3.77"(60x96mm)
ORDER CODE: UNISL600101

WL600201 SPOT LIGHT

SIZE: 2.36"x 5.11"(60x130mm)
ORDER CODE: UNIWL600201

WL750601 SPOT LIGHT

SIZE: 2.95"x 5.11"(75x130mm)
ORDER CODE: UNIWL750601