

DMX Dot



UNITECH
DIGITAL MEDIA

DMX DOT DMX DOT 1.5W

FEATURES

- These DMX pixels can be installed on the facade of shopping center, bank and bridge and so on.
- High-brightness IPX6 SMD LED are assembled in this DMX dot architectural lighting.
- RGB, and White color (2700-6500K) is available.
- Apply solid capacitor of PCB for long life time.
- Save 40% power with more efficient power management design.
- Wide working voltage range: DC12V-DC24V.
- Standard DMX512 control protocol (Max 44frames /second).
- DMX address can be set automatically and memorized also.
- The communication between led fixtures are synchronized perfectly under support of Artnet Controller.
- Protection: Hot pugging, and reverse connection.

DD480301 - DD480603 - DD480304
DMX DOT



DD500603 - DD501203 - DD500604 - DD500301 - DD501201
DMX DOT



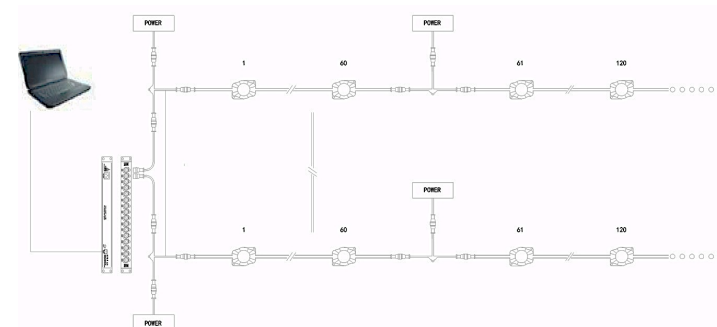
DD300301 - DD300803 - DD300304
DMX DOT



SPECIFICATIONS

	DD480301	DD480603	DD480304
Size	48x38x21 mm	48x38x21 mm	48x38x21 mm
Color	RGB	RGB	RGB 4in1
Led	SDM 2835	SDM 3535	SDM 5050
Led Q.ty	3	6	3
View angle	120°	120°	120°
Voltage	24V DC	24V DC	12V DC
Power	1.5W	1.5W	1.5W
Control	DMX 512	DMX 512	DMX 512
Address Setting	Manually	Manually	Manually
DMX Channels	1	3	4
Housing Color	Black/White	Black/White	Black/White
Diffuser	Clear	Clear	Clear
Cable Entry	Side	Side	Side
Operating Temperature	-40° to 50°C	-40° to 50°C	-40° to 50°C
Storage Temperature	-40° to 80°C	-40° to 80°C	-40° to 80°C
IP	IP67	IP67	IP67
Certificate	CE/ROHS	CE/ROHS	CE/ROHS

CONNECTION

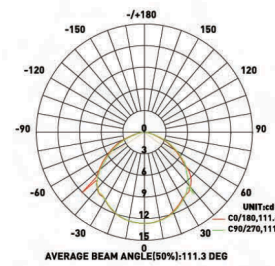
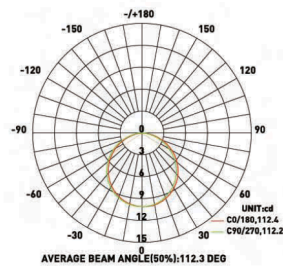
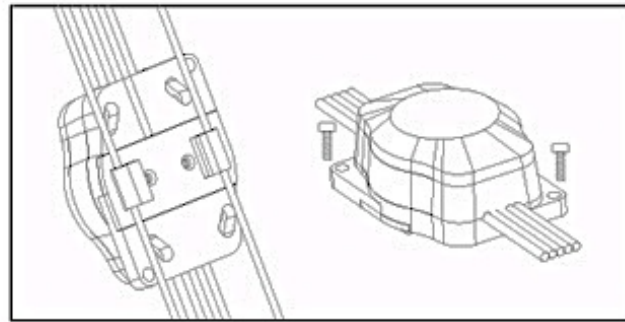
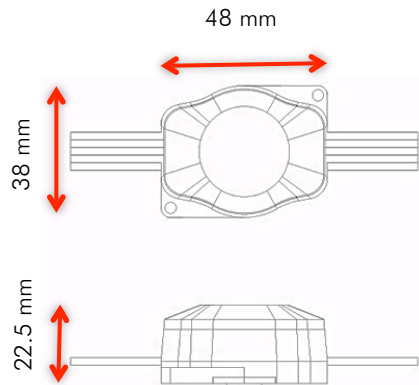


ACCESSORIES



DMX DOT

DMX DOT 1.5W



DD480301 DMX DOT

SIZE: 1.88"x1.49"x0.82" (48x38x21mm)

ORDER CODE: UNIALDD480301

DD480603 DMX DOT

SIZE: 1.88"x1.49"x0.82" (48x38x21mm)

ORDER CODE: UNIALDD480603

DD480304 DMX DOT

SIZE: 1.88"x1.49"x0.82" (48x38x21mm)

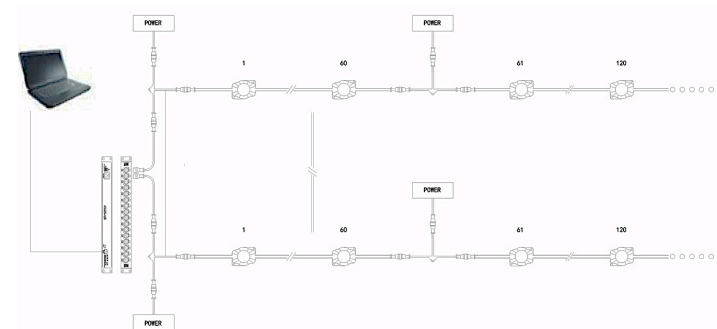
ORDER CODE: UNIALDD480304



SPECIFICATIONS

	DD300301	DD300803	DD300304
Size	48x38x21 mm	48x38x21 mm	48x38x21 mm
Color	White	RGB	RGBW 4in1
Led	SDM 5050	SDM 3535	SDM 5050
Led Q.ty	3	8	3
View angle	120°	120°	120°
Voltage	24V DC	24V DC	12V DC
Power	1.5W	1.5W	1.5W
Control	DMX 512	DMX 512	DMX 512
Address Setting	Manually	Manually	Manually
DMX Channels	1	3	4
Housing Color	Black/White	Black/White	Black/White
Diffuser	Clear	Clear	Clear
Cable Entry	Side	Side	Side
Operating Temperature	-40° to 50°C	-40° to 50°C	-40° to 50°C
Storage Temperature	-40° to 80°C	-40° to 80°C	-40° to 80°C
IP	IP67	IP67	IP67
Certificate	CE/ROHS	CE/ROHS	CE/ROHS

CONNECTION

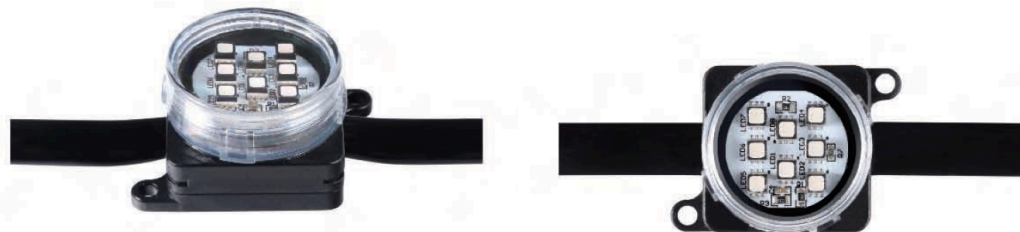
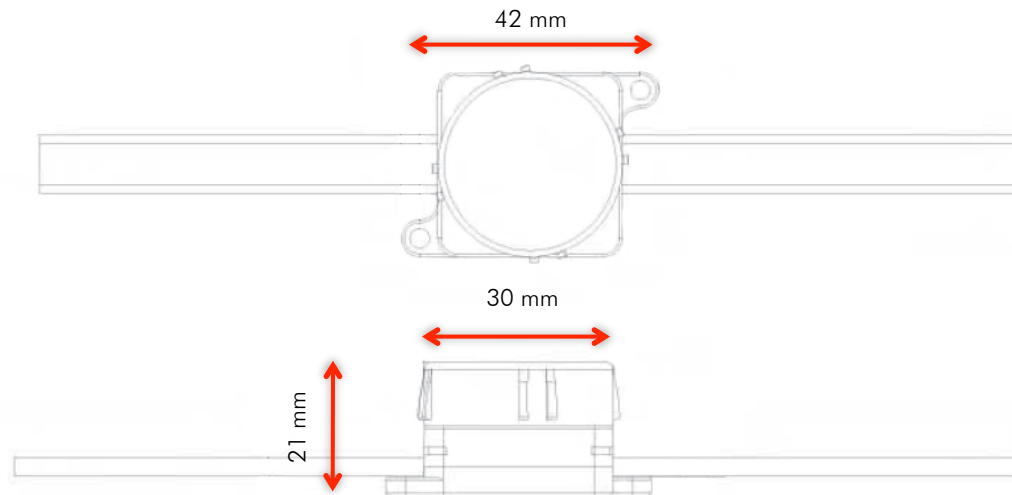


ACCESSORIES



DMX DOT

DMX DOT 1.5W



DD300301 DMX DOT

SIZE: 1.88"x1.49"x0.82" (48x38x21 mm)

ORDER CODE: UNIALDD300301

DD300803 DMX DOT

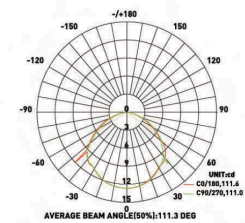
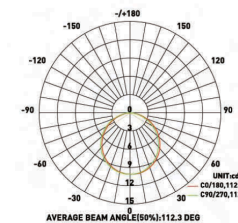
SIZE: 1.88"x1.49"x0.82" (48x38x21 mm)

ORDER CODE: UNIALDD300803

DD300304 DMX DOT

SIZE: 1.88"x1.49"x0.82" (48x38x21 mm)

ORDER CODE: UNIALDD300304



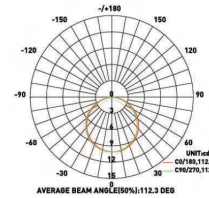
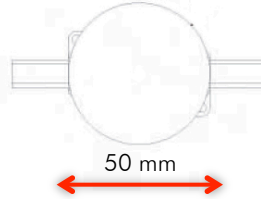
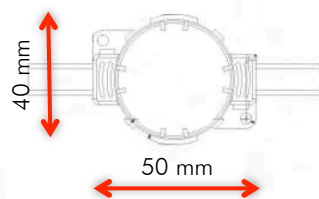
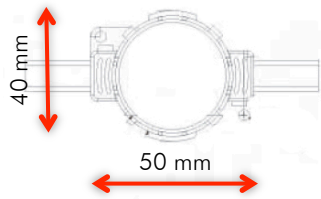
SPECIFICATIONS

	DD500603	DD501203	DD500604	DD500301	DD501201
Size	50 mm	50 mm	50 mm	50 mm	50 mm
Color	RGB	RGB	RGBW	White	White
Led	SDM RGB 3535	SDM RGB 3535	SDM RGBW 5050	SDM 5050	SDM 3535
Led Q.ty	6	12	6	6	12
View angle	120°	120°	120°	120°	120°
Voltage	24V DC	24V DC	24V DC	24V DC	24V DC
Power	1.5W	2W	1.5W	1.5W	2.5W
Control	DMX 512	DMX 512	DMX 512	DMX 512	DMX 512
Address Setting	Manual	Manual	Manual	Manual	Manual
DMX Channels	3	3	4	1	1
Housing Color	Black or other	Black or other	Black or other	Black or other	Opal
Diffuser	Clear/Opal	Clear/Opal	Clear/Opal	Clear/Opal	Clear/Opal
Cable Entry	Side	Side	Side	Side	Side
Operating Temperature	-40° to 50°C	-40° to 50°C	-40° to 50°C	-40° to 50°C	-40° to 50°C
Storage Temperature	-40° to 80°C	-40° to 80°C	-40° to 80°C	-40° to 80°C	-40° to 80°C
IP	IP67	IP67	IP67	IP67	IP67
Certificate	CE/ROHS	CE/ROHS	CE/ROHS	CE/ROHS	CE/ROHS

ACCESSORIES

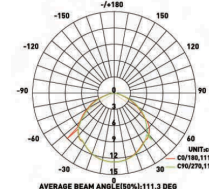
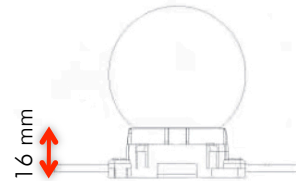


DMX DOT DMX DOT 1.5W



DD500603 DMX DOT

SIZE: 1.96" (50mm)
ORDER CODE: UNIALDD500603

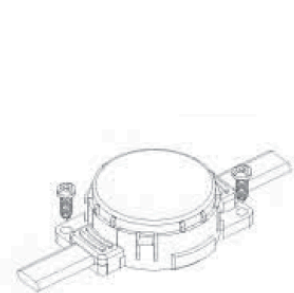


DD501203 DMX DOT

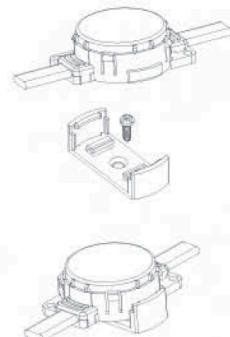
SIZE: 1.96" (50mm)
ORDER CODE: UNIALDD501203

DD500604 DMX DOT

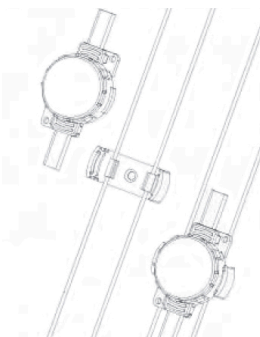
SIZE: 1.96" (50mm)
ORDER CODE: UNIALDD500604



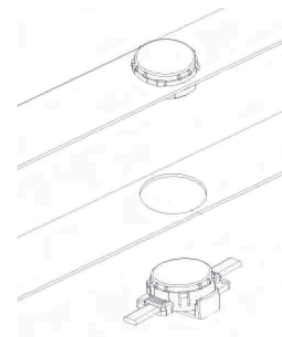
screw with a screw



with the fixed seat



fixed with steel wire



fixed with aluminum grooves

DD500301 DMX DOT

SIZE: 1.96" (50mm)
ORDER CODE: UNIALDD500301

DD501201 DMX DOT

SIZE: 1.96" (50mm)
ORDER CODE: UNIALDD501201

FEATURES

- These DMX pixels can be installed on the facade of shopping center, bank and bridge and so on.
- High-brightness IPX6 SMD LED are assembled in this pixel.
- RGB, and White color (2600-6500K) is available.
- Apply solid capacitor of PCB for long life time.
- Save 40% power with more efficient power management design.
- Wide working voltage range : DC12V-DC24V.
- Standard DMX512 control protocol (Max 44frames /second).
- DMX address can be set automatically and memorized also.
- The communication between led fixtures are synchronized perfectly under support of Artnet Controller.
- Protection: Hot pugging, and reverse connection.

DD881801 - DD881803 - DD881804
DMX DOT



DD600601 - DD600603 - DD600604 - DD601203
DMX DOT



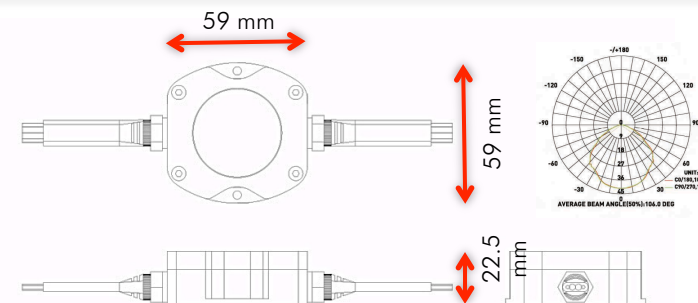
DD780104 - DD780101
DMX DOT



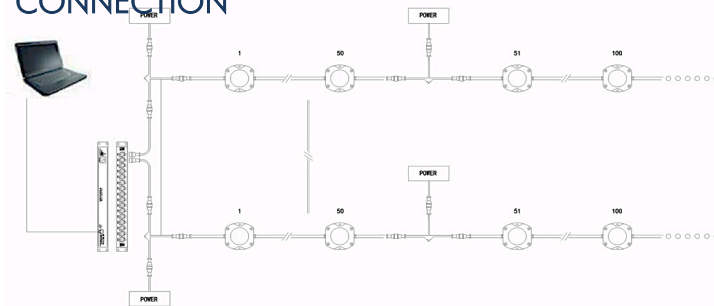
DMX DOT

SPECIFICATIONS

	DD600601	DD600603	DD600604	DD601203
Size	59x59x22.5 mm	59x59x22.5 mm	59x59x22.5 mm	59x59x22.5 mm
Color	White	RGB	RGBW	RGB
Led	SDM RGB 5050	SDM RGB 5050	SDM RGB 5050	SDM RGB 3535
Led Q.ty	6	6	6	12
View angle	120°	120°	120°	360°
Voltage	24V DC	24V DC	24V DC	24V DC
Power	1.5W	1.5W	2W	2.5W
Control	DMX 512	DMX 512	DMX 512	DMX 512
Address Setting	Manual	Manual	Manual	Manual
DMX Channels	1	3	4	3
Housing Color	Black or other	Black or other	Black or other	Opal
Diffuser	Clear/Opal flat	Clear/Opal flat	Clear/Opal flat	Clear/Opal flat
Cable Entry	Side	Side	Side	Side
Operating Temperature	-40° to 50°C	-40° to 50°C	-40° to 50°C	-40° to 50°C
Storage Temperature	-40° to 80°C	-40° to 80°C	-40° to 80°C	-40° to 80°C
IP	IP67	IP67	IP67	IP67
Certificate	CE/ROHS	CE/ROHS	CE/ROHS	CE/ROHS



CONNECTION



DD600601 DMX DOT

SIZE: 2.36"x2.36"x8.85"
(59x59x22.5mm)

ORDER CODE: UNIALDD600601

DD600603 DMX DOT

SIZE: 2.36"x2.36"x8.85"
(59x59x22.5mm)

ORDER CODE: UNIALDD600603

DD600604 DMX DOT

SIZE: 2.36"x2.36"x8.85"
(59x59x22.5mm)

ORDER CODE: UNIALDD600604

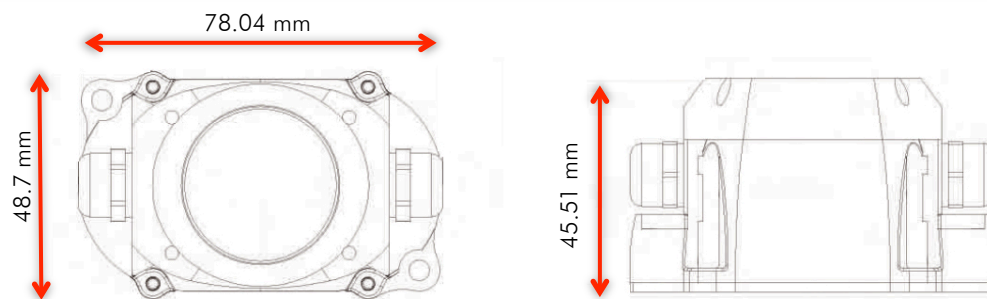
DD601203 DMX DOT

SIZE: 2.36"x2.36"x8.85"
(59x59x22.5mm)

ORDER CODE: UNIALDD601203

SPECIFICATIONS

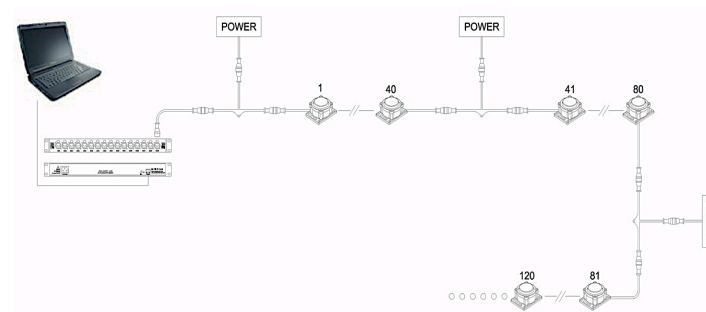
	DD78104	DD78101
Size	78x49x46 mm	78x49x46 mm
Color	RGBW	2700K – 6000K
Led	SDM RGB 5050	SDM RGB 5050
Led Q.ty	1	1
View angle	28°x52°	28°x52°
Voltage	24V DC	24V DC
Power	4W	3W
Control	DMX 512	DMX 512
Address Setting	Auto	Auto
DMX Channels	4	1
Housing Color	Black or other	Black or other
Diffuser	Clear	Clear
Cable Entry	Side	Side
Operating Temperature	-40° to 50°C	-40° to 50°C
Storage Temperature	-40° to 80°C	-40° to 80°C
IP	IP67	IP67
Certificate	CE/ROHS	CE/ROHS



ACCESSORIES



CONNECTION



DD78104 DMX DOT

SIZE: 3.07"x1.92"x2.55"/1.81"(78x49x46mm)
ORDER CODE: UNIALDD78104

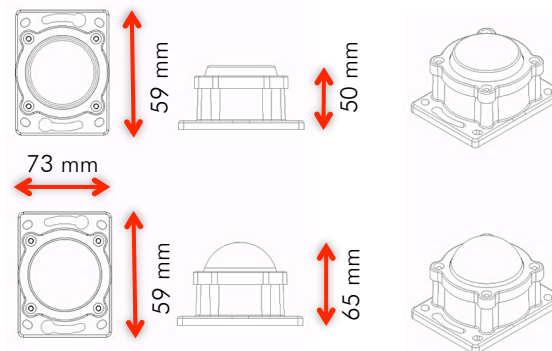
DD78101 DMX DOT

SIZE: 3.07"x1.92"x2.55"/1.81"(78x49x46mm)
ORDER CODE: UNIALDD78101

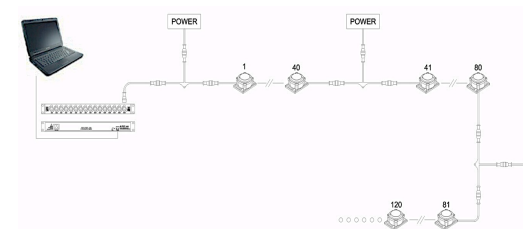
DMX DOT

SPECIFICATIONS

	DD881801	DD881803	DD881804
Size	OPAL98x73x65 mm CLEAR 98x73x50 mm	OPAL98x73x65 mm CLEAR 98x73x50 mm	OPAL98x73x65 mm CLEAR 98x73x50 mm
Color	2700K – 6000K	RGB	RGBW
Led	SDM RGB 5050	SDM RGB 5050	SDM RGB 5050
Led Q.ty	18	18	18
View angle	120°	120°	120°
Voltage	24V DC	24V DC	24V DC
Power	4W	4W	5W
Control	DMX 512	DMX 512	DMX 512
Address Setting	Auto	Auto	Auto
DMX Channels	1	3	4
Housing Color	Black or other	Black or other	Black or other
Diffuser	Clear/Opal	Clear/Opal	Clear/Opal
Cable Entry	Side/Bottom	Side/Bottom	Side/Bottom
Operating Temperature	-20° to 50°C	-20° to 50°C	-20° to 50°C
Storage Temperature	-40° to 80°C	-40° to 80°C	-40° to 80°C
IP	IP67	IP67	IP67
Certificate	CE/ROHS	CE/ROHS	CE/ROHS



ACCESSORIES CONNECTION



DD881801 DMX DOT

SIZE: 3.85"x2.87"x2.55"/1.96"(98x73x65/50mm)

ORDER CODE: UNIALDD881801

DD881803 DMX DOT

SIZE: 3.85"x2.87"x2.55"/1.96"(98x73x65/50mm)

ORDER CODE: UNIALDD881803

DD881804 DMX DOT

SIZE: 3.85"x2.87"x2.55"/1.96"(98x73x65/50mm)

ORDER CODE: UNIALDD881804

FEATURES

- These DMX pixels can be installed on the facade of shopping center, bank and bridge and so on.
- High-brightness IPX6 SMD LED are assembled in this pixel.
- RGB, and White color (2600-6500K) is available.
- Apply solid capacitor of PCB for long life time.
- Save 40% power with more efficient power management design.
- Wide working voltage range : DC12V-DC24V.
- Standard DMX512 control protocol (Max 44frames /second).
- DMX address can be set automatically and memorized also.
- The communication between led fixtures are synchronized perfectly under support of Artnet Controller.
- Protection: Hot pugging, and reverse connection.

DD890101 - DD790101
DMX DOT



DD1300401 - DD1300404
DMX DOT



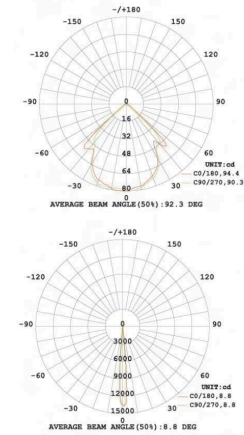
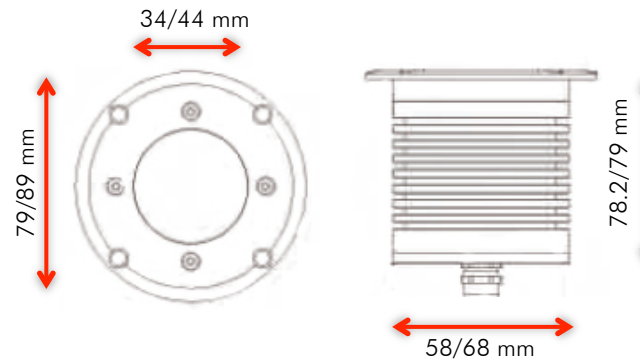
DW1300601
DMX DOT



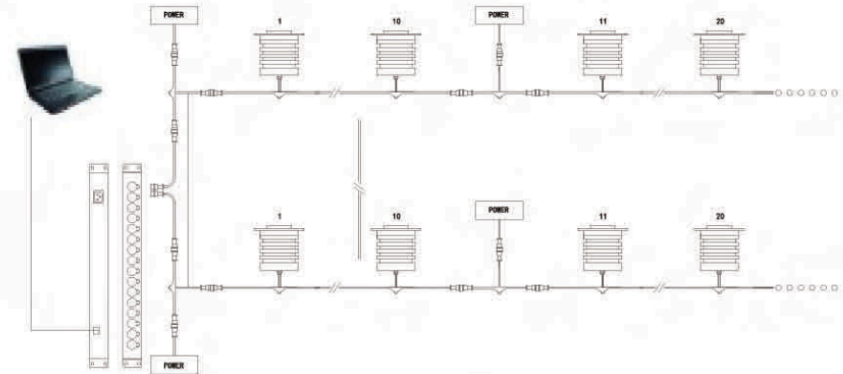
DMX DOT

SPECIFICATIONS

	DD890101	DD790101
Size	89x68x79 mm	79x58x78.2 mm
Color	White 2700K-5700K	White 2700K-5700K
Led Q.ty	1	1
View angle	8°	120°
Voltage	24V DC	24V DC
Power	8.5W	3.25W
Control	DMX 512	DMX 512
Address Setting	Manual	Manual
DMX Channels	1	1
Housing Color	Gray or other	Gray or other
Diffuser	Clear	Clear
Cable Entry	Side	Side
Operating Temperature	-40° to 50°C	-40° to 50°C
Storage Temperature	-40° to 80°C	-40° to 80°C
IP	IP67	IP67
Certificate	CE/ROHS	CE/ROHS



CONNECTION



DD890101 DMX DOT

SIZE: 3.07"x1.92"x2.55"/1.81"
(89x68x79mm)

ORDER CODE: UNIALDD890101

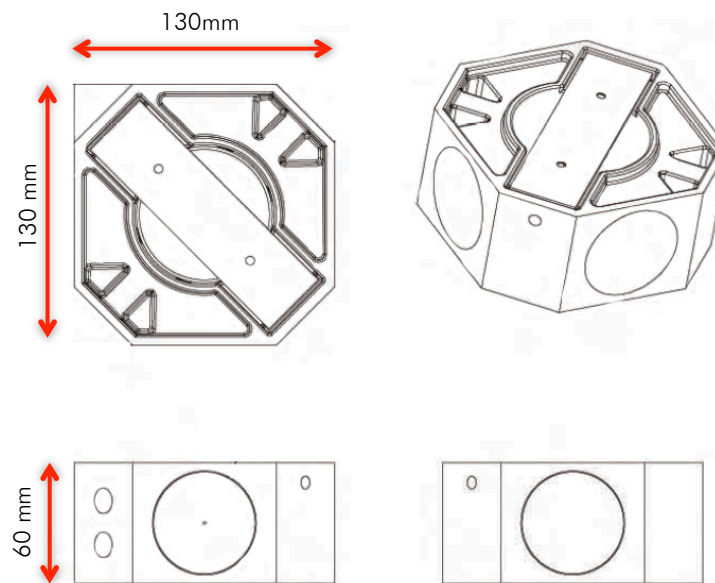
DD790101 DMX DOT

SIZE: 3.07"x1.92"x2.55"/1.81"
(79x58x78.2mm)

ORDER CODE: UNIALDD790101

SPECIFICATIONS

	DD1300401	DD1300404	DW1300604
Size	130x130x60 mm	130x130x60 mm	130x60 mm
Color	White	RGBW	White 2700K-5700K
Led Q.ty	4	4	6
View angle	3°	5°	10°-15°-22°-30°-50°-66°-83°
Voltage	24V DC	24V DC	24V DC
Power	15W	30W	6W
Control	DMX 512	DMX 512	DMX 512
Address Setting	Auto/Manual	Auto/Manual	On/Off
DMX Channels	1	4	4
Housing Color	Black or other	Black or other	Black or other
Diffuser	Clear	Clear	4mm Toughened Glass
Cable Entry	Side	Side	Bottom
Operating Temperature	-20° to 50°C	-20° to 50°C	-20° to 50°C
Storage Temperature	-40° to 80°C	-40° to 80°C	-40° to 80°C
IP	IP67	IP67	IP67
Certificate	CE/ROHS	CE/ROHS	CE/ROHS



DD1300401 DMX DOT

SIZE: 5.11"x5.11"x2.36"
(130x130x60mm)

ORDER CODE: UNIALDD1300401

DD1300404 DMX DOT

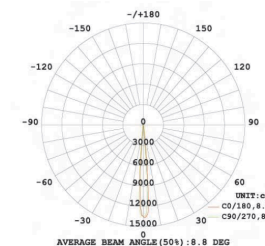
SIZE: 5.11"x5.11"x2.36"
(130x130x60mm)

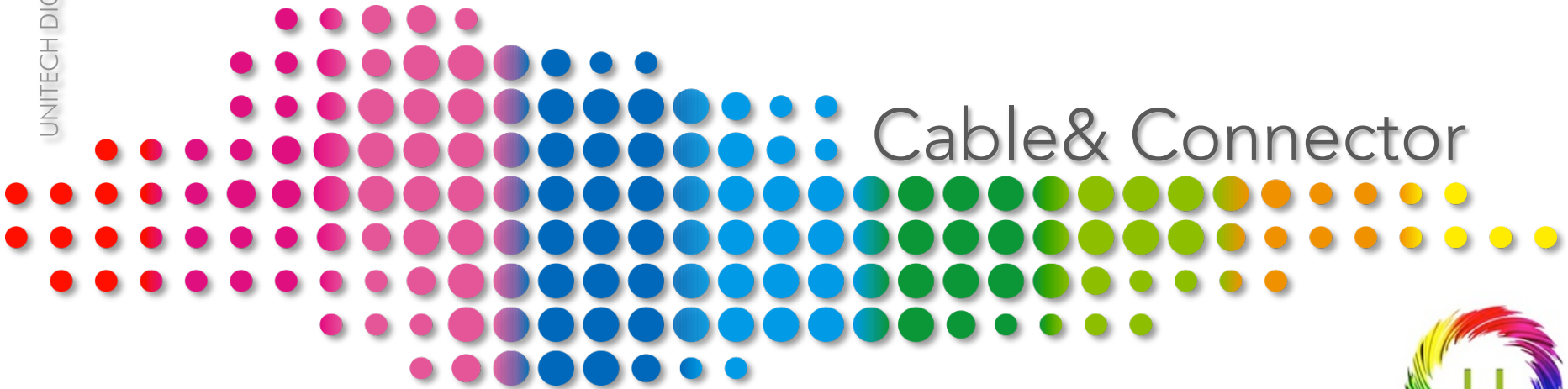
ORDER CODE: UNIALDD1300404

DW1300601 DMX DOT

SIZE: 5.11"x2.36"
(130x60mm)

ORDER CODE: UNIALDW1300601





Cable & Connector



Cable & Connector

IP67 CONNECTOR PUSH LOCK



4PIN Extension Cable 67E4M4F
ORDER CODE: UNICPL67EM4F



T Connector for Signal&Power 67T5XM4F2M
ORDER CODE: UNICPL67T5XM4F2M



T Connector for Power 67T4M4F2M
ORDER CODE: UNICPL67T4M4F2M



2PIN Power Cable 67E2FB
ORDER CODE: UNICPL67E2FB

IP67 CONNECTOR SCREW LOCK



2PIN Power Cable 67E2FB
ORDER CODE: UNICSL67E2FB



T Connector for Signal&Power 67T5XM4F2M
ORDER CODE: UNICSL67T5XM4F2M



T Connector for Power 67T4M4F2M
ORDER CODE: UNICSL67T4M4F2M

IP65 CONNECTOR SCREW LOCK



2PIN Power Cable 65E2FB
ORDER CODE: UNICSL65E2FB



T Connector for Signal&Power 65T5XM4F2M
ORDER CODE: UNICSL65T5XM4F2M



T Connector for Power 65T4M4F2M
ORDER CODE: UNICSL65T4M4F2M



T Connector for LED Fixture 65T4M4F4F
ORDER CODE: UNICSL65T4M4F4F

NO WATERPROOF CONNECTOR



5PIN XLR Female – CD – XLR5F
ORDER CODE: UNINWCXLR5F



5PIN XLR Male – CD – XLR5M
ORDER CODE: UNINWCXLR5M



3PIN XLR Female – CD – XLR3F
ORDER CODE: UNINWCXLR3F



3PIN XLR Male – CD – XLR3M
ORDER CODE: UNIAC67E2FB



T Connector for Signal&Power
NWT5XM4F2M
ORDER CODE: UNINWT5XM4F2M



4PIN Extension Cable NWE4M4F
ORDER CODE: UNINWE4M4F



Signal Cable NWE5XM3SF
ORDER CODE: UNINWE5XM3SF

Power Supply

LRS



LRS Power Supply

ORDER CODE: UNIPSLRS150

Wattage	LRS 150W
Features	Economical non-PFC models Miniature size with complete protections Most economical models with complete safety certificates
DC Voltage	DC12V DC24V

SP



SP Power Supply

ORDER CODE: UNIPSSP150

Wattage	SP 150W
Features	Built-in active PFC function Full range input, complete functions
DC Voltage	DC12V DC24V

HLG



HLG Power Supply

ORDER CODE: UNIPSHLG150

Wattage	HQ 150W
Features	90-305VAC input, built-in active PFC function Metal case, IP67/IP65 design for indoor or outdoor installations
DC Voltage	DC12V DC24V