

WW102A - LED WALL WASHER

Horeca Light Technology

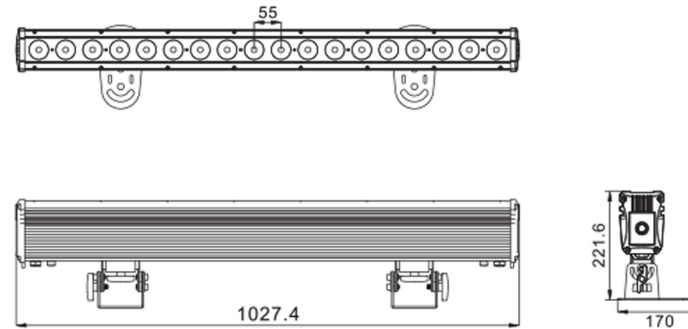
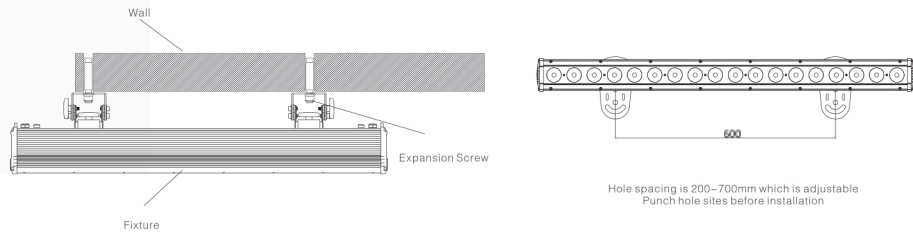


UNITECH
DIGITALMEDIA

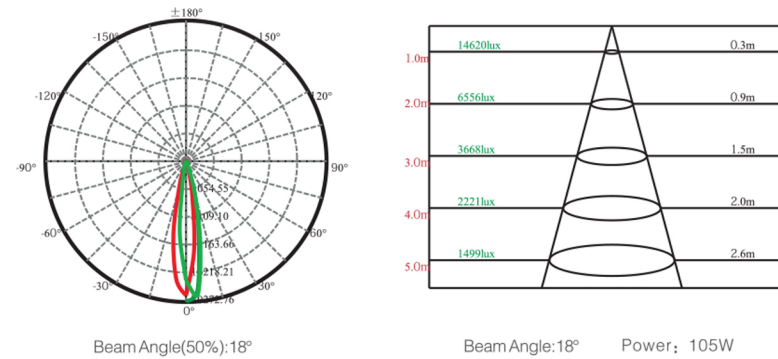
WW102A WW series

It can produce 256 grade Gray-Scale changes, achieve the synchronization effect by intelligent controller, it can also connect with DMX Console. Users can input data themselves for programming control. Nixie tube is adopted. There is a fixed built-in program inside this fixture which can realize synchronization, self-linking function.

Installation



Light Distribution Curve



Specification

Item Number	LED Qty	Color Temperature	Beam Angle	Input Voltage	Rated Power	Control	Material	Optional accessories	IP Grade
WW102A	18PCS	RGBW	18°	AC 100V-240V	190W	DMX512	Aviation aluminum profiles stainless steel bracket	Barn door/ Anti glare grille	IP65

